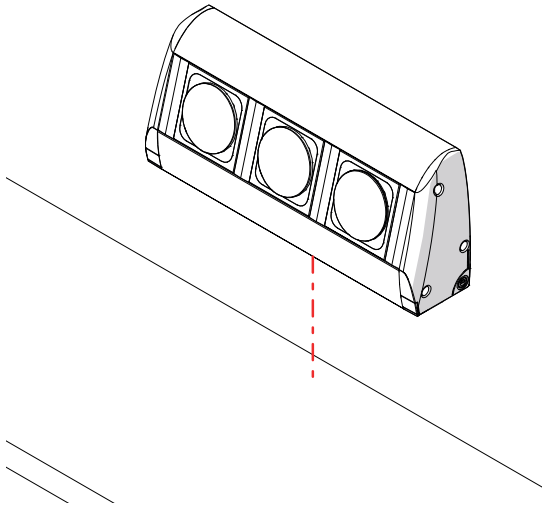
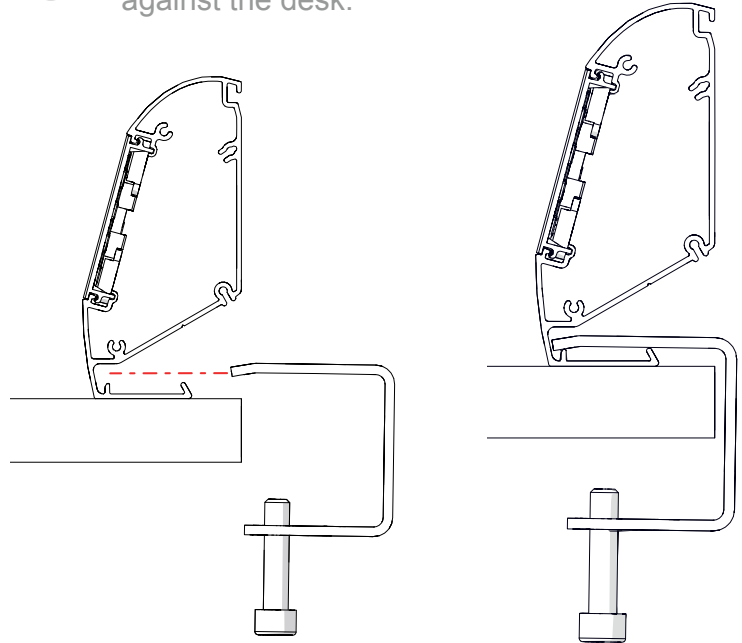


POCO (vertical) installation instructions

1 Align POCO with the surface.



2 Align the bracket. POCO should sit flush (0mm) against the desk.



3 Tighten fixing bolts.



CAUTION Do not overtighten

4

