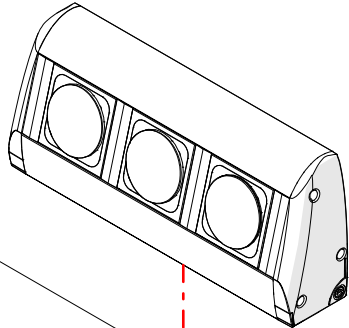
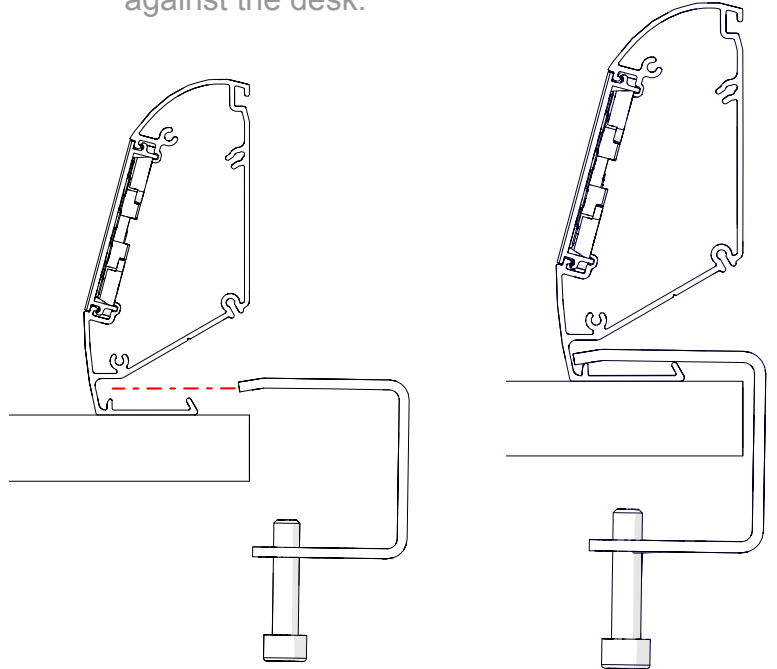


1 Align POCO with the surface.

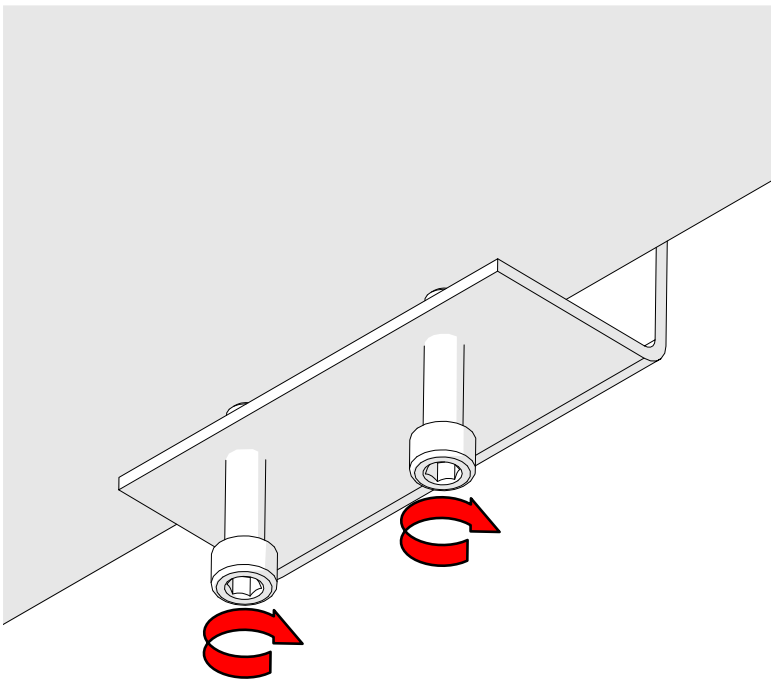


2 Align the bracket. POCO should sit flush (0mm) against the desk.



3 Tighten fixing bolts.

 **CAUTION** Do not overtighten



4

