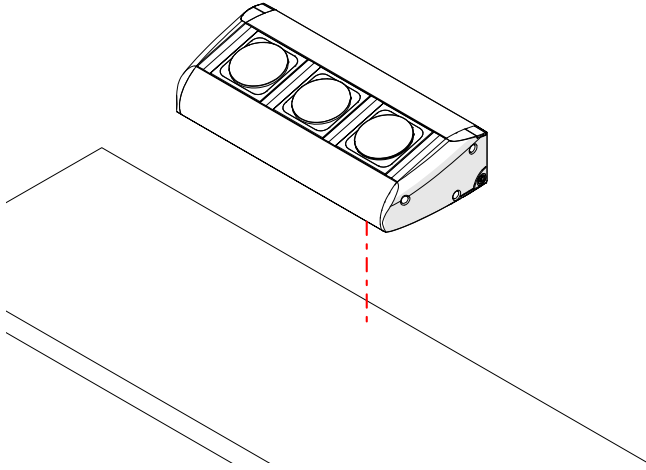
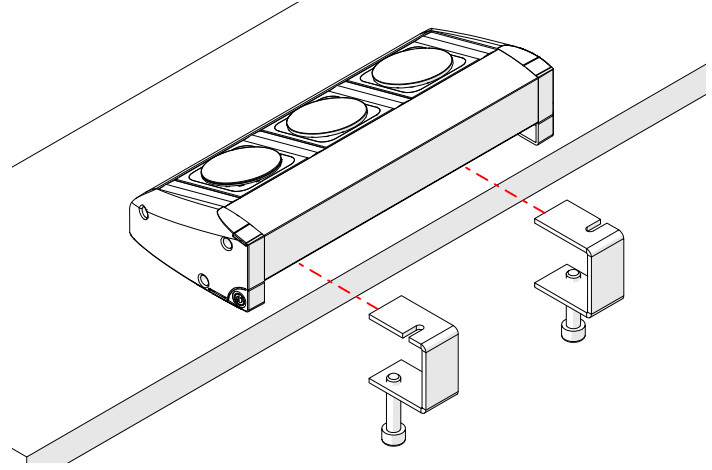


1 Align POCO with the surface.

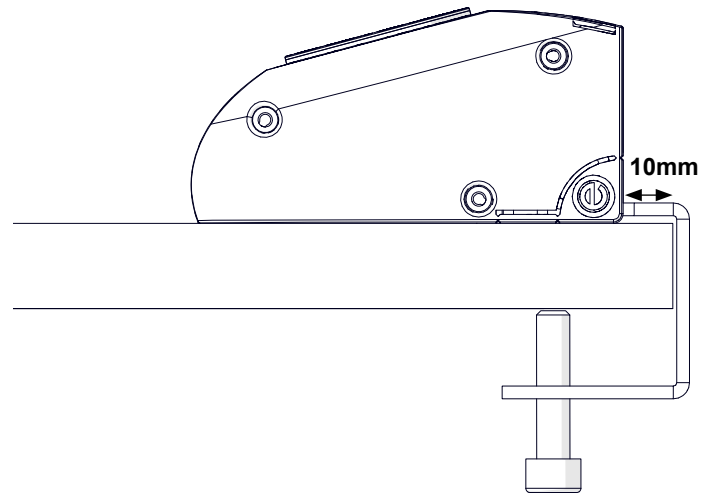
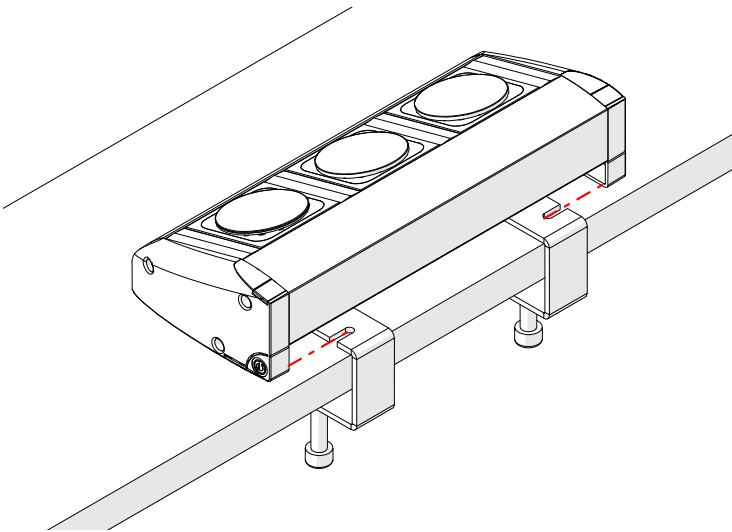


2 Align the bracket*.

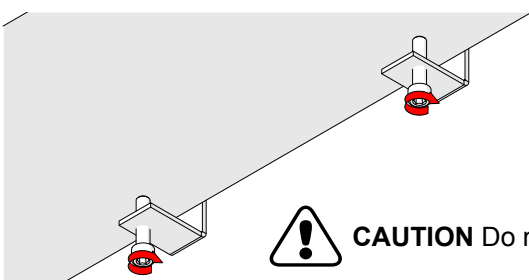


*please note the orientation of brackets must be as above

3 POCO should sit 10mm from the back of the desk.



4 Tighten fixing bolts.



CAUTION Do not overtighten

5

